

**Water
Efficiency
Review**

**SECTION 31 REGULATIONS AND
CALGREEN CODE COMPLIANCE**

Indoor Water Use
Fixture & Appliance Requirements

SECTION 31 REGULATIONS AND CALGREEN CODE COMPLIANCE

Contents

- 1. Fixture and Appliance Requirements**
- 2. State Senate Bill 7 (SB-7) Sub-Metering Guidelines**
- 3. Fixture and Appliance Specifications Sheets**
 - A. Sample Fixture and Appliance Specifications Sheets

Water Efficiency Review

Indoor Water Use Fixture & Appliance Requirements

The District will review applications for new services and determine the applicability of, and compliance with, water-efficiency requirements. All applicants shall comply with Section 31 water efficiency regulations and those required by applicable local, state and/or federal law including the California Green Building Standards Code (CAL Green).

Applicants shall maintain design documents and construction and installation records and furnish a copy of these documents and records to the District upon request. Water fixtures and appliances must meet the requirements outlined below. Installation of after-market flow restrictors does not satisfy fixture flow rate requirements.

Fixture and Appliance Requirements:

Toilets shall be high-efficiency or dual flush models rated and (third party) tested at a maximum average flush volume of 1.28 gallons per flush (GPF). Pressure-assisted type toilets shall be high-efficiency rated at a maximum 1.0 GPF.

Wall mounted urinals shall have a maximum rated flow of 0.125 GPF or less, or be zero water consumption urinals.

Floor mounted urinals shall have a maximum rated flow of 0.5 GPF or less.

Single showerheads shall have a maximum flow rate of 1.8 gallons per minute (GPM) at 80 pounds of pressure per square inch (PSI).

Multiple showerheads serving a single shower enclosure shall have a combined flow rate of not more than 1.8 GPM at 80 PSI per 2,500 square inches of floor area or shall be designed to allow only a single showerhead to be operated at one time.

Residential lavatory faucets shall have aerators or laminar flow control devices with a maximum rated flow of 1.2 gallons per minute or less.

Public lavatory faucets shall have aerators or laminar flow control devices with a maximum rated flow of 0.5 gallons per minute or less.

Wash fountains shall have a maximum flow rate of not more than 1.8 GPM per 20 inches of rim space.

Metering faucets shall not deliver more than 0.20 gallons per cycle (GPC).

Kitchen faucets shall have aerators or laminar flow control devices with a maximum rated flow of 1.8 GPM or less with optional temporary flow of 2.2 GPM.

Clothes washing machines shall have a water factor (WF) of 4.5 or less. A water factor rating of 4.5 means a maximum average water use of 4.5 gallons of water used per cubic foot of laundry.

Residential dishwashers rated as standard size (i.e. 307 kWh/year) shall use less than or equal to 5.0 GPC. Dishwashers rated as compact size (i.e., 222 kWh/year) shall use less than or equal to 3.5 GPC.

Water Efficiency Review

Indoor Water Use Fixture & Appliance Requirements

Commercial dishwashers or ware washing equipment shall be currently labeled an EnergyStar rated water efficient model meeting the maximum water consumption limits as specified in the table below:

Machine Type	High Temp	Low Temp
Under Counter	≤ 0.86 GPR	≤ 1.19 GPR
Stationary Single Tank Door	≤ 0.89 GPR	≤ 1.18 GPR
Pot, Pan, and Utensil	≤ 0.58 GPSF	≤ 0.58 GPSF
Single Tank Conveyor	≤ 0.70 GRP	≤ 0.79 GPR
Multiple Tank Conveyor	≤ 0.54 GRP	≤ 0.54 GRP
Single Tank Flight Type	≤ GPH ≤ 2.975x + 55.00	≤ GPH ≤ 2.975x + 55.00
Multiple Tank Flight Type	≤ GPH ≤ 4.96x + 17.00	≤ GPH ≤ 4.96x + 17.00

*GRP (gallons per rack); GPSF (gallons per square foot); GPH (gallons per hour)

Commercial refrigeration shall be air-cooled or if water-cooled, must have a closed looped system. No once through, single pass systems are permitted.

Food steamers in all food service facilities shall be boilerless or self-contained models using ≤ 3.0 gallons per hour (GPH) where applicable.

Ice machines shall be air-cooled or use no more than 20 gallons of water per 100 pounds of ice and shall be equipped with a recirculating cooling unit.

Pre-Rinse dishwashing spray valves shall have a maximum rated flow of 1.6 GPM or less.

Food disposers shall modulate the use of water to no more than 1 gpm when the disposer is not in use and shall automatically shut off after no more than 10 minutes of inactivity. Disposers shall use no more than 8 GPM of water.

Cooling towers not utilizing recycled water shall be equipped with recirculating systems and operate at a minimum of five (5) cycles of concentration. Newly constructed cooling towers shall be operated with conductivity controllers, as well as make up and blowdown meters.

Conveyor and in-bay vehicle wash facilities shall reuse a minimum of 60% of water from previous vehicle rinses in subsequent washes.

Self-service vehicle wash facilities shall use spray nozzles with a flow rate of 3.0 GPM or less.

Swimming pools and spas shall be covered when not in use except where public health and safety concerns exist.

Water Efficiency Review

Indoor Water Use Multi-family Residential Submeters

The District will review applications for new services and determine the applicability of, and compliance with, water-efficiency requirements. All applicants shall comply with Section 31 water efficiency regulations and those required by applicable local, state and/or federal law.

Effective January 1, 2018, water service for new multiunit structures shall be individually metered or submetered in compliance with State Senate Bill 7 (SB-7). SB-7 encourages conservation of water in multifamily residential rental buildings through metering infrastructure and establishes practices involving the submetering of dwelling units for water service to include appropriate safeguards for both tenants and landlords. Water service applicants must provide plans, specifications, and other forms of verification detailing meter types, installation locations, and certifications for review and compliance with water service regulations.

All developers and/or owners are required to comply with SB-7. For information on SB-7 visit https://leginfo.legislature.ca.gov/faces/billNavClient.xhtml?bill_id=201520160SB7.

State SB-7 Sub-Metering Guideline Highlights

Planning and Design:

1. Total water consumption (hot and cold) shall be measured for each individual residential unit in newly constructed multiunit residential structures or mixed-use residential and commercial structures.
2. All meters must be "lead free" and meet National Science Foundation (NSF) 61 and American National Standards Institute (ANSI) 372 standards.
3. Meters must be easily accessible for inspection, maintenance, and manual reading by tenants even if they are read remotely.
4. Site and or plumbing plans shall be submitted with the Application for Water Service documenting the following:
 - Meter make, model, temperature range, pressure range, and flow range;
 - The location of each meter;
 - Details of the meter, installation, access point, and signage; and
 - Notes indicating that these meters will be readily accessible by the tenants, landlord to verify meter reads as warranted.

Installation and Maintenance:

5. Installation must be in accordance with manufacturers' specifications.
6. Installation must be compliant with the California Plumbing Code and shall be reinspected and recalibrated within the time limits specified in law or regulations.
7. Each meter and its installation must be certified by County Weights and Measures for its intended use and shall be tagged by Weights and Measures indicating that it has passed inspection.
8. Responsible party shall operate and maintain all meters and reporting requirements.

**Water
Efficiency
Review**

Indoor Water Use Fixture & Appliance Specifications Sheets

The District will review applications for new services and determine the applicability of, and compliance with, water efficiency requirements. All applicants shall comply with Section 31 water efficiency regulations and those required by applicable local, state and/or federal law including the California Green Building Standards Code (CAL Green).

Applicants shall submit a specifications sheet (spec sheet) for each new water fixture and water-using appliance to be installed. Spec sheets must display the make, model number and water efficiency rating to verify compliance with water efficiency requirements (see attached samples). These documents may be found online through manufacturer or vendor websites. Spec sheets can also be found for compliant dishwashers and clothes washers on the Energy Star product finder web page at www.energystar.gov/products.

Features

- Optimized siphonic flush action maximizes bulk waste removal; one flush performance.
- Elongated bowl has an extended rim length for comfortable use by adults.

Material

- Crafted of Grade A vitreous china to provide a durable, non-porous product with a hard, glossy finish

Installation

- Three-bolt quick-connect installation system.

Water Conservation & Rebates

- Uses 1.28 gallons of water per flush; meets today's strict water conservation standards.

Components

Additional included component/s: Tank lid, Trip lever, and Bolt cap accessory pack.



Codes/Standards

ASME A112.19.2/CSA B45.1
EPA WaterSense®

STERLING® Warranty - Toilets and Lavatories

See website for detailed warranty information.

Available Color/Finishes

Color tiles intended for reference only.

Color	Code	Description
→ ●	0	White
●	96	KOHLER Biscuit

**SINGLE-FUNCTION SHOWERHEAD
K-72423**

Features

- MasterClean™ spray nozzles prohibit mineral buildup for easy cleaning
- 1.75 gal/min (6.6 l/min) maximum flow rate
- 3-9/16" (90 mm) diameter sprayface
- 1/2"-14 NPT connection



Codes/Standards Applicable

Specified model meets or exceeds the following:

- ASME A112.18.1/CSA B125.1
- EPA WaterSense®



Colors/Finishes

- CP: Polished Chrome
- Other: Refer to Price Book for additional colors/finishes

Accessories

- CP: Polished Chrome
- Other: Refer to Price Book for additional colors/finishes

Specified Model

Model	Description	Colors/Finishes	
K-72423	Single-function showerhead	<input type="checkbox"/> CP	<input type="checkbox"/> Other _____
Recommended Accessories			
K-7395	Shower arm and flange – 5-3/8" (137 mm) length, 1/2" NPT OR	<input type="checkbox"/> CP	<input type="checkbox"/> Other _____
K-7397	Shower arm and flange – 7-1/2" (191 mm) length, 1/2" NPT	<input type="checkbox"/> CP	<input type="checkbox"/> Other _____

Product Specification

The showerhead shall have a single-function spray. Showerhead shall feature MasterClean spray nozzles to prohibit mineral build-up for easy cleaning. Showerhead shall feature a 1.75 gal/min (6.6 l/min) maximum flow rate. Showerhead shall have a 3-9/16" (90 mm) diameter sprayface and 1/2"-14 NPT connection. Single-function showerhead shall be Kohler Model K-72423-_____.



L-1

Buy it for looks. Buy it for life.®

Specifications

DESCRIPTION

- Metal construction with various finishes identified by suffix
- Flexible supply lines with 3/8" compression fittings
- Includes metal pop-up waste assembly
- Includes optional 3 hole deck plate (escutcheon)
- Includes Red/Blue Temperature Indicators

OPERATION

- Lever style handle
- Temperature controlled by 100° arc of handle travel

FLOW

- Water usage is limited to these maximum flow rates as indicated by the corresponding product markings
° 1.2 gpm max (4.5L/min) at 60 psi

CARTRIDGE

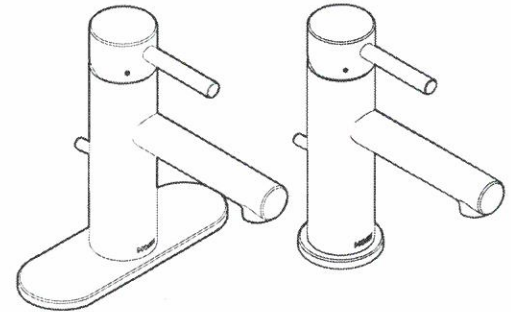
- 1255™ Duralast™ cartridge
- Nonmetallic/nonferrous and ceramic material

STANDARDS

- Third party certified to WaterSense,® ASME A112.18.1/CSA B125.1, and all applicable requirements referenced therein
- Certified to NSF 61/9 & 372
- Products marked with 1.2 gpm are compliant with California water efficiency regulations
- Complies with California Proposition 65 and with the Federal Safe Drinking Water Act
- ADA ♿ for lever handle

WARRANTY

- Lifetime limited warranty against leaks, drips and finish defects to the original homeowner
 - 10 year limited warranty when used in a multifamily installation
 - 5 year limited warranty when used in a commercial installation
- Visit www.moen.com/support for complete details and limitations

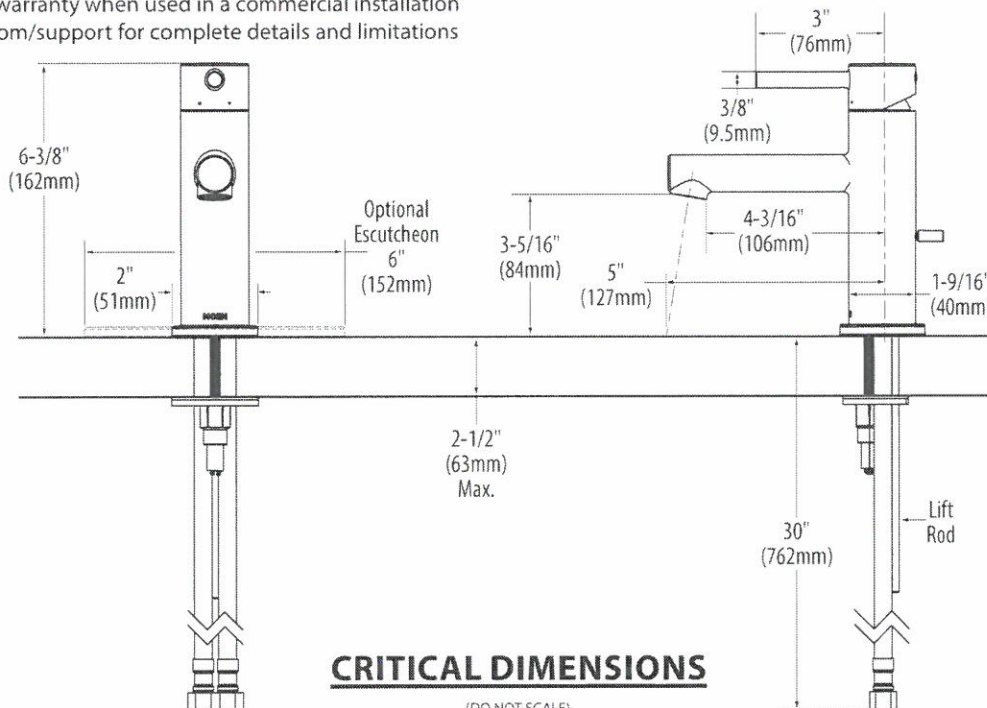


ALIGN™

Single-Handle Lavatory Faucet

Models: 6190 series

NOTE: THIS FAUCET IS DESIGNED TO BE INSTALLED THROUGH 1 HOLE, 1-1/4" MIN. DIA.





S-1

Buy it for looks. Buy it for life.®

Specifications

FAUCET DESCRIPTION

- Reflex™ pulldown system offers smooth operation, easy movement and secure docking
- Metal construction with various finishes identified by suffix
- Quick connect installation
- Pulldown spray with 68" braided hose
- Flexible supply lines with 3/8" compression fittings
- High arc spout provides height and reach to fill or clean large pots while pulldown wand provides the maneuverability for cleaning or rinsing
- 360° rotating spout provides ability to install handle on either side
- Faucet designed for handle to be mounted on right side

OPERATION

- Lever style handle
- Temperature controlled by 100° arc of handle travel
- Operates with less than 5 lbs. of force
- Operates in stream or spray mode in the pullout or retracted position

FLOW

- Flow is limited to **1.5 gpm** (5.7 L/min) max at 60 psi

CARTRIDGE

- 1255™ Duralast™ cartridge

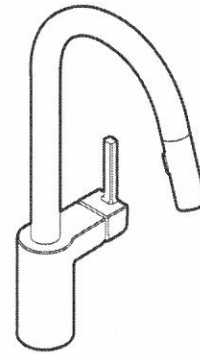
STANDARDS

- Third party certified to IAPMO Green, ASME A112.18.1/CSA B125.1 and all applicable requirements therein including NSF 61/9G
- Meets CalGreen and Georgia SB370 requirements
- Contains no more than 0.25% weighted average lead content
- Complies with California Proposition 65 and with the Federal Safe Drinking Water Act
- The backflow protection system in the device consists of two independently operating check valves, a primary and a secondary which prevent backflow

- **ADA** for lever handle

WARRANTY

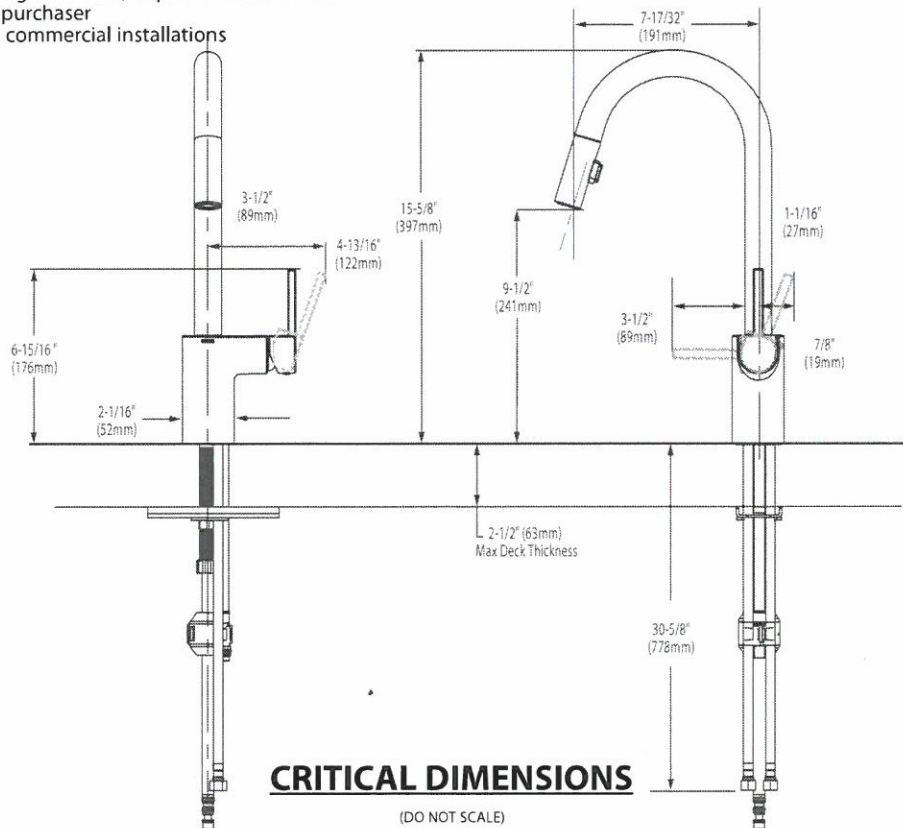
- Lifetime limited warranty against leaks, drips and finish defects to the original consumer purchaser
- 5 year warranty if used in commercial installations



ALIGN™ Single Handle High Arc Pulldown Kitchen Faucet

Models: 7565 series

NOTE: THIS FAUCET IS DESIGNED TO BE INSTALLED THRU 1 HOLE, 1-1/2" (38mm) MIN. DIA.. (OPTIONAL 3-HOLE ESCUTCHEON 141002 AVAILABLE)



FOR MORE INFORMATION CALL: 1-800-BUY-MOEN

www.moen.com

[< back to results](#)

Kenmore - 630.1287201

Specifications

TypeⓄ:	Standard
Annual Energy Use (kWh/yr)Ⓞ:	249
US Federal Standard (kWh/yr)Ⓞ:	307
% Better than US Federal Standard (kWh/yr)Ⓞ:	19
Water Use (gallons/cycle)Ⓞ:	2.9
US Federal Standard (gallons/cycle)Ⓞ:	5
% Better than US Federal Standard (gallons/cycle)Ⓞ:	42
Connected FunctionalityⓄ:	No
MarketsⓄ:	United States, Canada

Additional Product Information

No additional information provided

REBATE FINDER



ENERGY STAR partners sponsor rebates on certified products. Enter a zip code below to find deals near you!

LEARN MORE ABOUT PRODUCTS

Looking for more information about how to save with ENERGY STAR products?

My ENERGY STAR

Discover the many simple energy-saving solutions you can take to make a big difference.

GET STARTED



Energy Efficient Products

[Find ENERGY STAR Products](#)[Energy Savings at Home](#)[Take the Pledge](#)[Learn about Climate Change](#)

Energy Savings At Home

[Start Saving Now](#)[Take the Pledge](#)[Home Assessment Tools](#)[Seal and Insulate Your Home](#)[Learn about ENERGY STAR Products](#)[Learn about Home](#)

Energy Efficient New Homes

[Find Builders and Incentives](#)[Home Features and Benefits](#)[Homeowner Testimonials](#)[Resources for Partners](#)

Energy Strategies for Buildings & Plants

[Facility Owners & Managers](#)[Service Providers](#)[Energy Efficiency Program Administrators](#)[Tenants](#)[Tools & Resources](#)

ENERGY STAR Home

[About ENERGY STAR](#)[Recursos en Español](#)[Publications](#)[Partner Resources](#)[Contact Us | FAQs](#)[Newsroom](#)[Kids](#)[Privacy](#)

ENERGY STAR Certified

Residential Clothes Washers

Visit the [Residential Clothes Washers](#) page for usage tips and buying guidelines.



CHANGE
product category

[< back to results](#)

Whirlpool - WFW7540F**

Specifications

Load ConfigurationⓄ:	Front Load
Volume (cu. ft.)Ⓞ:	4.5
Integrated Modified Energy Factor (IMEF)Ⓞ:	2.92
US Federal Standard (IMEF)Ⓞ:	1.84
Annual Energy Use (kWh/yr)Ⓞ:	88
Integrated Water Factor (IWF)Ⓞ:	3.2
US Federal Standard (IWF)Ⓞ:	4.7
Annual Water Use (gallons/yr)Ⓞ:	4210
ConnectedⓄ:	No
Paired ENERGY STAR Clothes Dryer AvailableⓄ:	
Paired ENERGY STAR Clothes Dryer Model NumberⓄ:	Paired ENERGY STAR Clothes Dryer(s)
Date CertifiedⓄ:	02/05/2018
MarketsⓄ:	United States, Canada

Additional Product Information

No additional information provided

REBATE FINDER



ENERGY STAR partners sponsor rebates on certified products. Enter a zip code below to find deals near you!

LEARN MORE ABOUT PRODUCTS

Looking for more information about how to save with ENERGY STAR products?

My ENERGY STAR

Discover the many simple energy-saving actions you can take to make a big difference.

GET STARTED



Price and Location Information

EPA is adding price and location information for ENERGY STAR products to enhance the consumer experience and make it easier to locate models. Data on price and availability are sourced from retail web sites for informational purposes only. *Prices may vary in store or online.* Please share any issues or feedback with the features by reporting it here.

Find Online

Clicking on the "Go" link below will take you to web sites external to the energystar.gov domain. EXIT